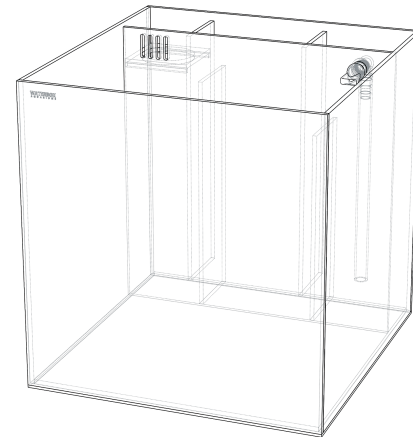


WATERBOX[®]
A Q U A R I U M S

WWW.WATERBOXAQUARIUMS.COM

WATERBOX[®]
A Q U A R I U M S



PRODUCT MANUAL

MY WATERBOX

Tank Model _____ Tank Lot # _____

Cabinet Model _____ Cabinet Lot # _____

Purchase date _____

Sellers _____

Address _____

TEL/Mobile _____

CONTENT

◀ CUBE _____

- 4 | CUBE 10
- 4 | CUBE 20

◀ PENINSULA MINI _____

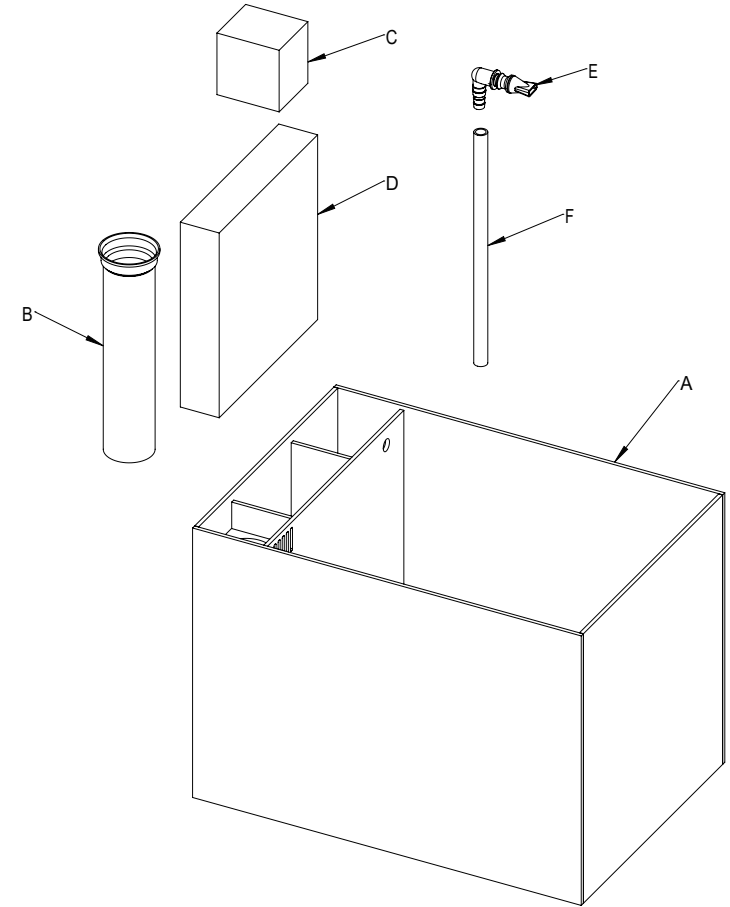
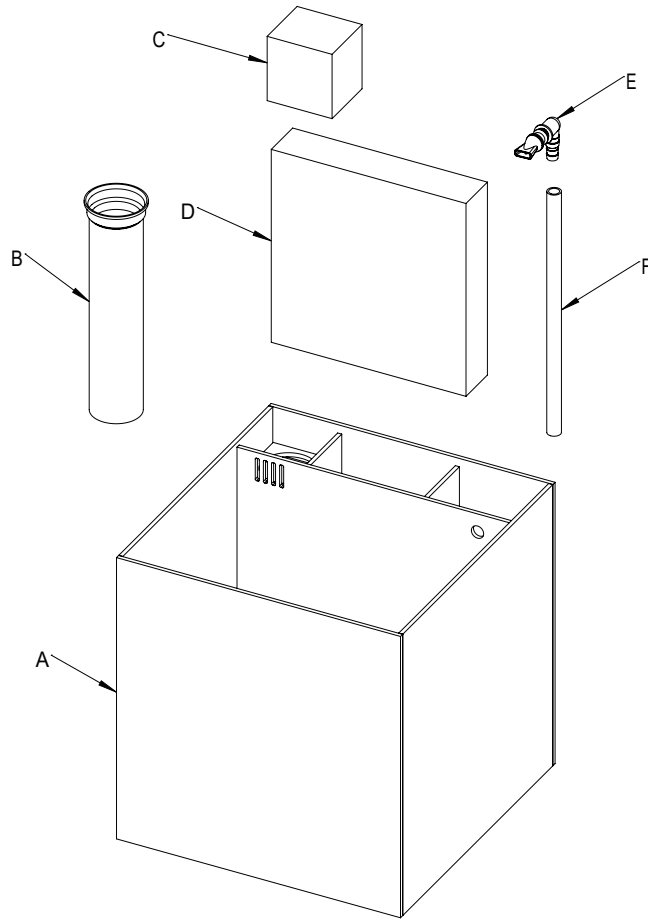
- 5 | PENINSULA MINI 15
- 5 | PENINSULA MINI 25

◀ AIO _____

- 6 | AIO 35.2
- 7 | AIO 50.3
- 8 | AIO 65.4

◀ PENINSULA AIO _____

- 9 | PENINSULA AIO 50.3
- 10 | PENINSULA AIO 65.4

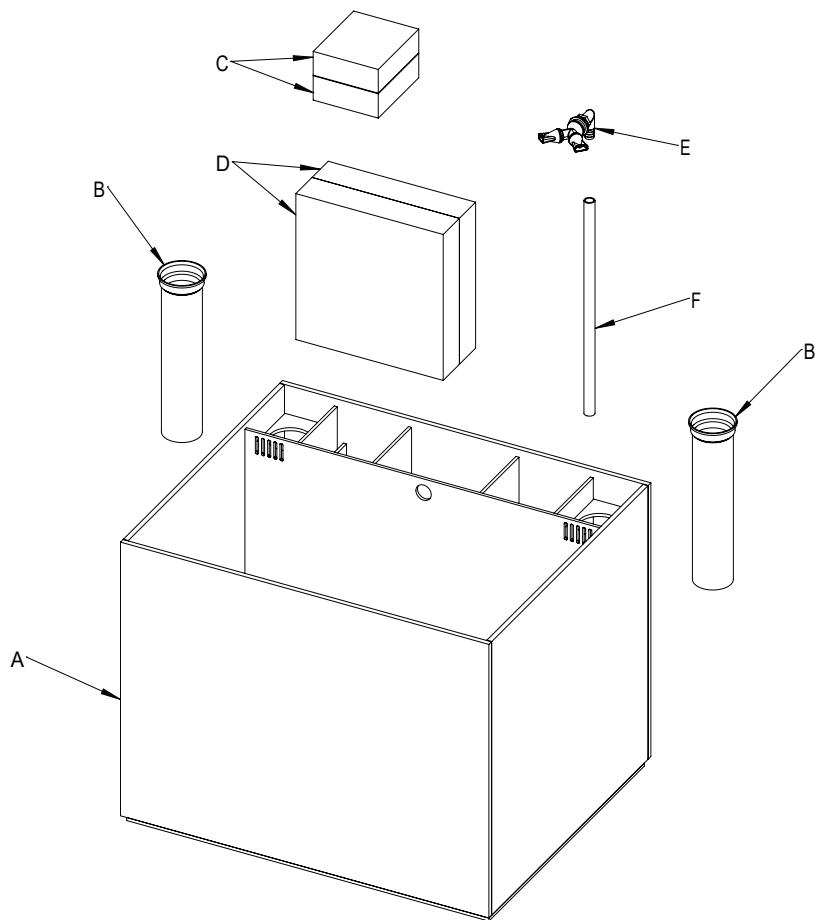


ITEM	QTY	KIT	CODE
A	1	Tank CUBE 10	S01GT01
	1	Tank CUBE 20	S01GT02
B	1	FB-Felt-225-70260	850000451896
D	1	Filter Media Pack CUBE 10/PM 15	810039390535
	1	Filter Media Pack CUBE 20/PM 25	810039390542
E	1	Nozzle NZ 15S	S25NZ01
F	1	Plumbing Kit for CUBE 10	S21PK01
	1	Plumbing Kit for CUBE 20	S21PK02

ITEM	QTY	KIT	CODE
C	1	Water pump AP-1000 (US), 120V/60HZ	S13AP01
	1	Water pump AP-1000 (EU), 220V/50HZ	S13AP03
	1	Water pump AP-1500 (US), 120V/60HZ	S13AP02
	1	Water pump AP-1500 (EU), 220V/50HZ	S13AP04
	1	Water pump AP-1500 (UK), 230V/60HZ	S13AP05
	1	Water pump AP-1500 (AU), 230V/60HZ	S13AP06

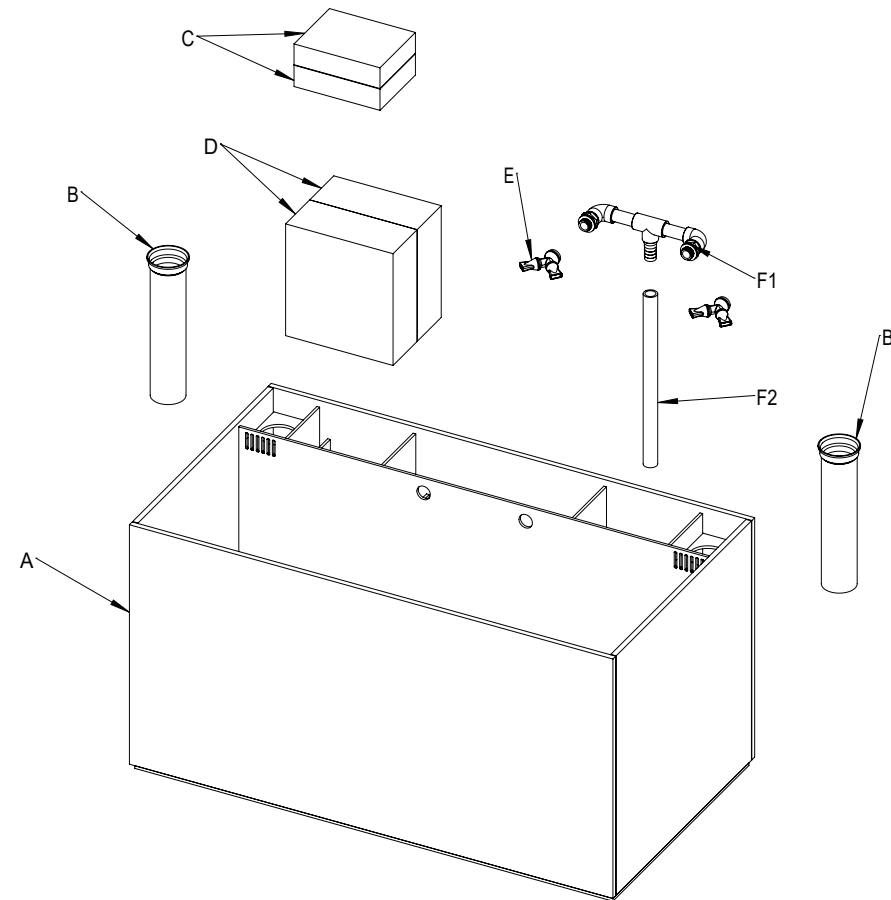
ITEM	QTY	KIT	CODE
A	1	Tank PEN. M15	S01GT11
	1	Tank PEN. M25	S01GT12
B	1	FB-Felt-225-70260	850000451896
D	1	Filter Media Pack CUBE 10/PM 15	810039390535
	1	Filter Media Pack CUBE 20/PM 25	810039390542
E	1	Nozzle NZ 15S	S25NZ01

ITEM	QTY	KIT	CODE
C	1	Water pump AP-1500 (US), 120V/60HZ	S13AP02
	1	Water pump AP-1500 (EU), 220V/50HZ	S13AP04
	1	Water pump AP-1500 (UK), 230V/60HZ	S13AP05
	1	Water pump AP-1500 (AU), 230V/60HZ	S13AP06
F	1	Plumbing Kit for PEN. M15	S21PK11
	1	Plumbing Kit for PEN. M25	S21PK12



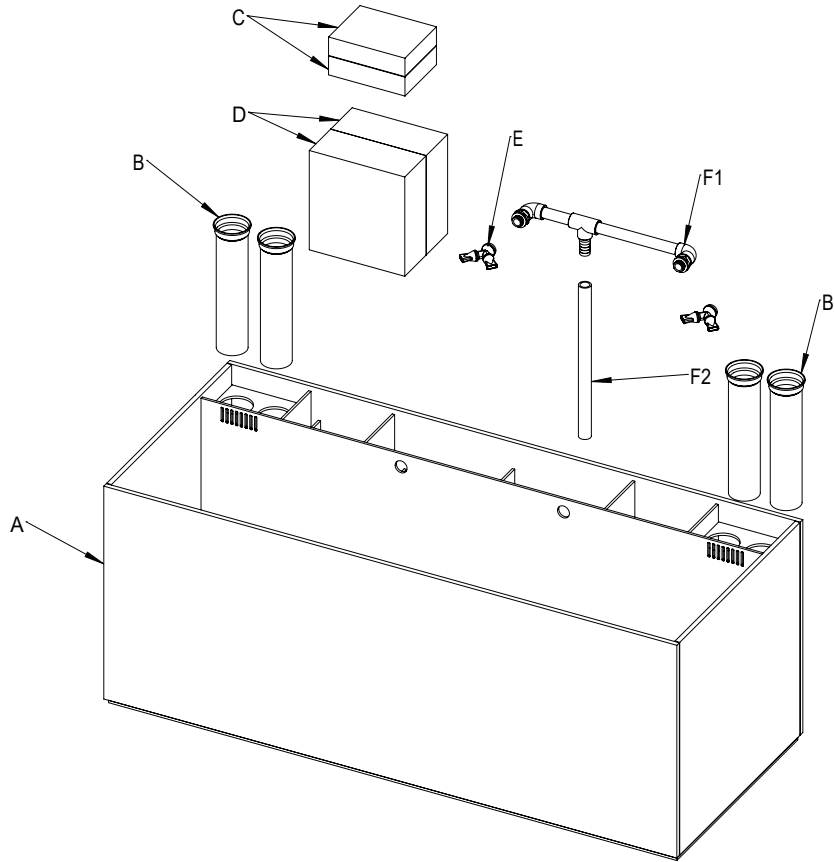
ITEM	QTY	KIT	CODE
A	1	Tank AIO 35.2	S01GT21
B	2	FB-Felt-225-70260	850000451896
C	2	Bio-sponge 106*125	S12FS04
D	2	Filter Media Pack CUBE 10/PM 15	810039390535
E	1	Nozzle NZ 15Y	S25NZ02

ITEM	QTY	DESCRIPTION	KIT	CODE
F	1	12/16 Black Return Hose	Plumbing Kit for AIO 35.2	S21PK21



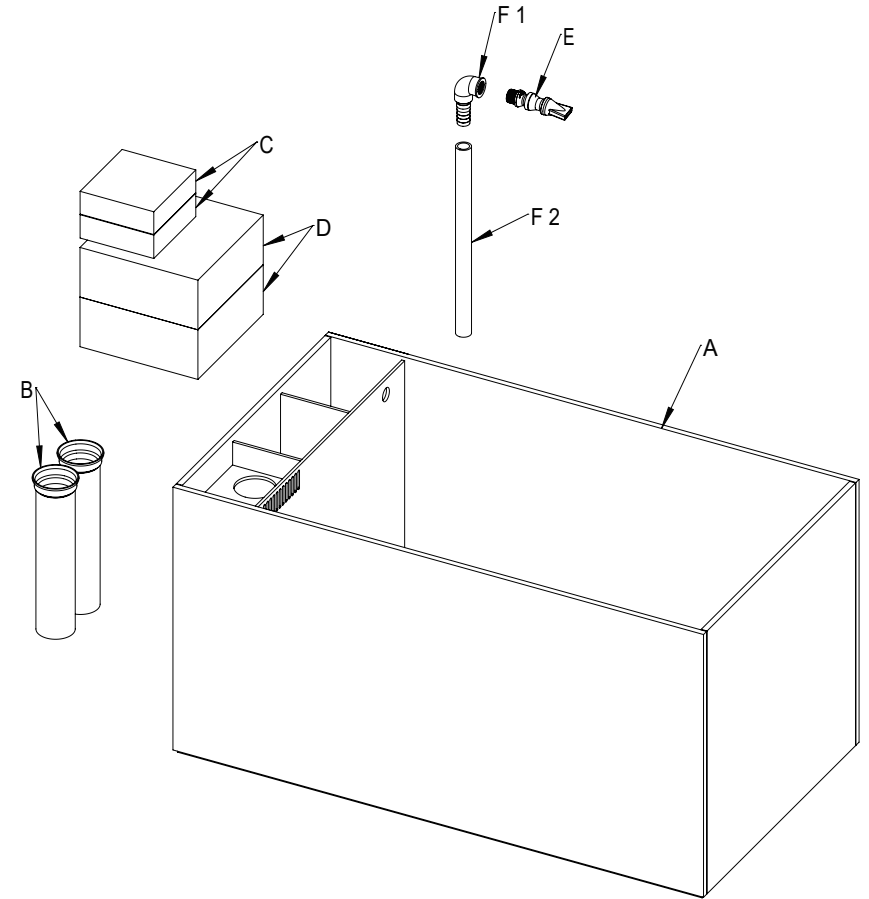
ITEM	QTY	KIT	CODE
A	1	Tank AIO 50.3	S01GT22
B	2	FB-Felt-225-70260	850000451896
C	2	Bio-sponge 160*125	S12FS01
D	2	Filter Media Pack CUBE 20/PM 25	810039390542
E	2	Nozzle NZ 15Y	S25NZ02

ITEM	QTY	DESCRIPTION	KIT	CODE
F 1	1	Outlet assembly A05	Plumbing Kit for AIO 50.3	S21PK22
F 2	1	18/24 Black PVC Flexible Hose		



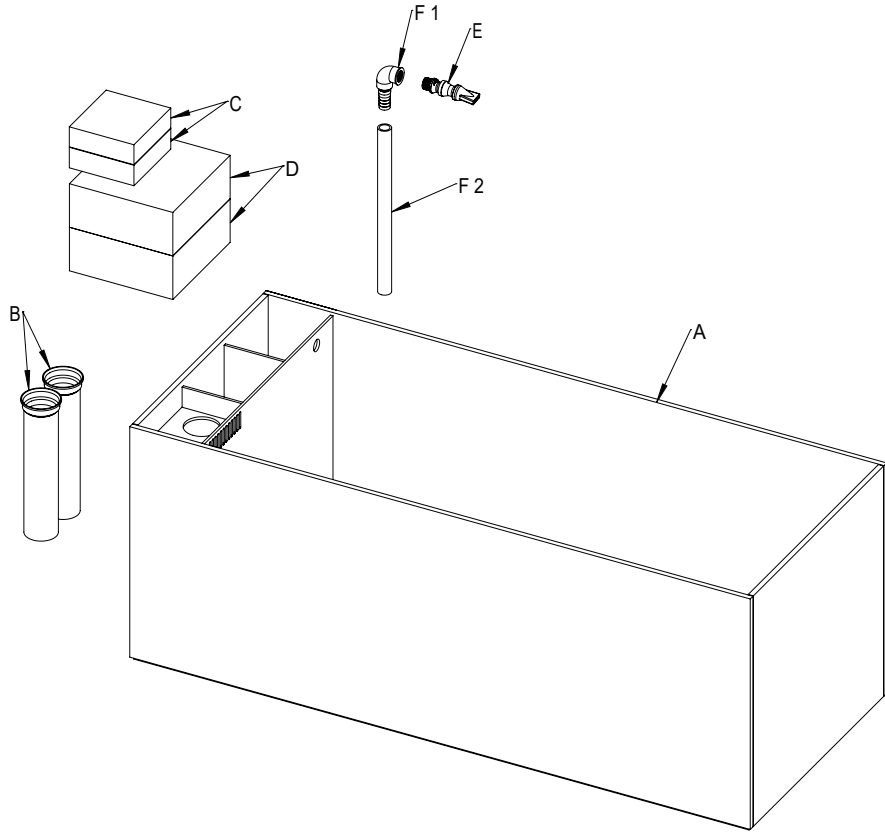
ITEM	QTY	KIT	CODE
A	1	Tank AIO 65.4	S01GT23
B	4	FB-Felt-225-70260	850000451896
C	2	Bio-sponge 155*125	S12FS07
D	2	Filter Media Pack CUBE 20/PM 25	810039390542
E	2	Nozzle NZ 15Y	S25NZ02

ITEM	QTY	DESCRIPTION	KIT	CODE
F 1	1	Outlet assembly A08	Plumbing Kit for AIO 65.4	S21PK23
F 2	1	18/24 Black PVC Flexible Hose		



ITEM	QTY	KIT	CODE
A	1	Peninsula AIO 50.3	S01GT24
B	2	FB-Felt-225-70260	850000451896
C	2	Bio-sponge 135*125	S12FS08
D	2	Filter Media Pack CUBE 20/PM 25	810039390542
E	1	Nozzle NZ 15F	S25NZ03

ITEM	QTY	DESCRIPTION	KIT	CODE
F 1	1	Outlet assembly A12	Plumbing Kit for Peninsula AIO 50.3/65.4	S21PK24
F 2	1	18/24 Black PVC Flexible Hose		



ITEM	QTY	KIT	CODE
A	1	Peninsula AIO 65.4	S01GT25
B	2	FB-Felt-225-70260	850000451896
C	2	Bio-sponge 135*125	S12FS08
D	2	Filter Media Pack CUBE 20/PM 25	810039390542
E	1	Nozzle NZ 15F	S25NZ03

ITEM	QTY	DESCRIPTION	KIT	CODE
F 1	1	Outlet assembly A12	Plumbing Kit for Peninsula AIO 50.3/65.4	S21PK24
F 2	1	18/24 Black PVC Flexible Hose		