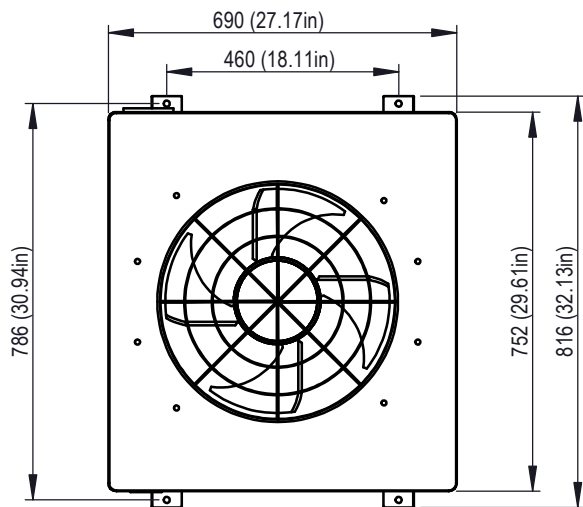
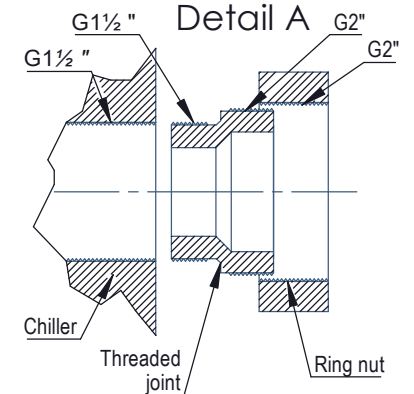


Thermostat:
 - Fixed
 - Remote Controllable (wire length: 12m - 472.5in)



Dimensions	816mm x 690mm x 835mm (h)	
Weight	79 kg	
Voltage-Frequency-Phase	220-240V 50Hz 1ph	
Current Consumption	9,3 A	
Compressor Power	2 HP	
Power Consumption (Cooling) *	2030 W	
Power Consumption (Heating) **	1500 W	
Cooling Capacity *	5,8 KW	19800 Btu/h
Heating Capacity**	4,5 KW	15350 Btu/h
Min and Max Water Flow	3000 l/h - 5000 l/h	793 Usгал/h - 1321 Usгал/h
Air Flow	4000 m³/h	141260 CFH
Maximum Exchanger's Pressure	4 bar	58 PSI
Ambient Temperature Range	5°C - 38°C	41°F - 100°F
Water Temperature	5°C - 35°C	41°F - 95°F ***
Histeresys	2 (delta°C)	5 (delta°F) ***
Certification \ Protection Grade	CE \ IPX4	
Refrigerant	R410A	
* reported value refers to the following condition: room temperature 30°C (86°F), water temperature 25°C (77°F)		
** reported value refers to the following condition: room temperature 5°C (41°F), water temperature 25°C (77°F)		
*** °F controller available on request		
All data are approximate and may be changed without notice by TECO		

Material:	Drawing: TK5K 230V 50Hz 1ph Tecnical sheet		
Thickness:	File: TK_5K_technical_drawing		
Finishing:	Your code:	Code:	
Volume:	Tol.	Scale: 1: 15	Date: 29/07/2020
Approved:	Via A.Sansovino, 35 48124 RAVENNA - ITALY Tel. +39 0544 408333 Fax 280084 http://www.tecoonline.com		
	Drawer: Matteo		

AS BY LAW ENACTED WE RESERVE US THE PROPERTY OF THIS DOCUMENT WITH THE PROHIBITION OF REPRODUCE IT, SAVE IT INTO ARCHIVES SYSTEM, GIVE IT OR HOWEVER LENT IT TO THIRD PARTY WITHOUT OUR AUTHORIZATION. EVERY VIOLATION INVOLVES THE COMPENSATION FOR THE UNDERGONE DAMAGES.WE MAKE RESERVATIONS ABOUT ALL THE RIGHTS DERIVING FROM PATENTS OR MODELS.

Drawer: Giulia Modify: Heating capacity for 25°C water